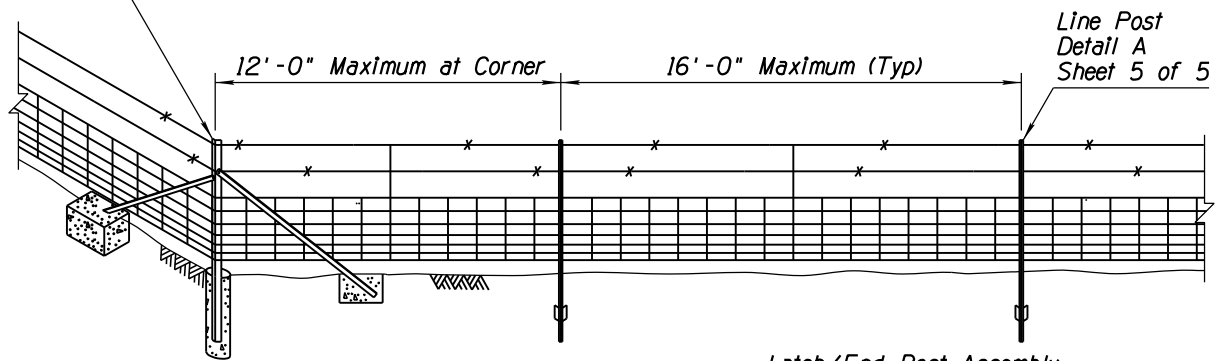


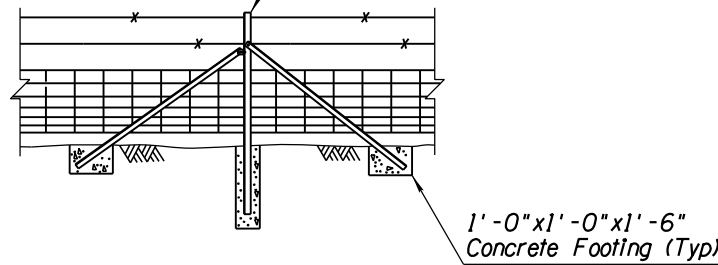
NO	DESCRIPTION OF REVISIONS	MADE BY	DATE
1	ADDED ASTM CALLOUT	PNB	7/94
2	REVISED GENERAL NOTE	RLF	5/12
3	ADDED TYPICAL FENCE LOCATION VIEW	RLF	5/12
4			

Corner Post Assembly
Detail D
Sheet 5 of 5



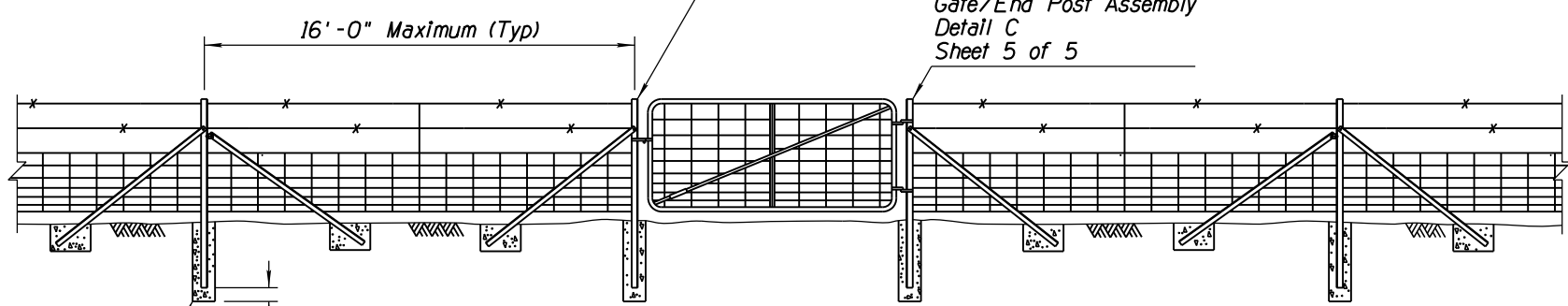
Line Post
Detail A
Sheet 5 of 5

Intermediate Post Assembly
Detail B
Sheet 5 of 5



Latch/End Post Assembly
Detail C
Sheet 5 of 5

Gate/End Post Assembly
Detail C
Sheet 5 of 5

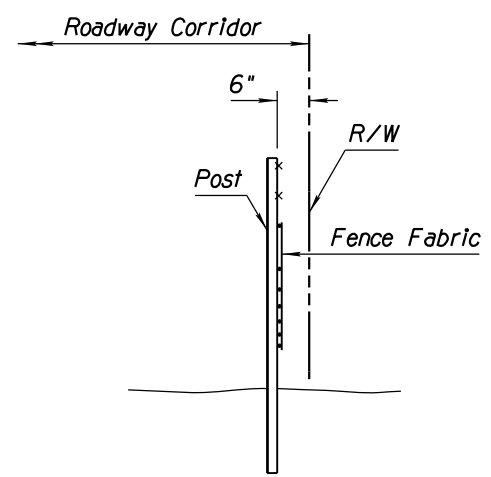


10" Diameter x 3'-0"
Concrete Footing (Typ)
6" Typ

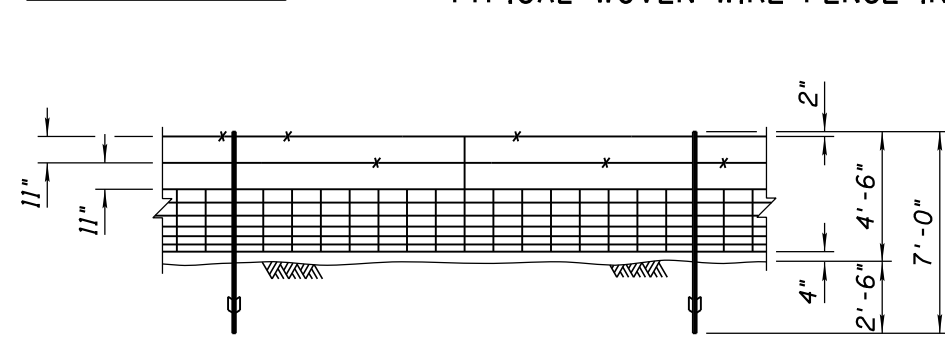
TYPICAL WOVEN WIRE FENCE INSTALLATION-TYPE 1 (WW) SHOWN

GENERAL NOTES

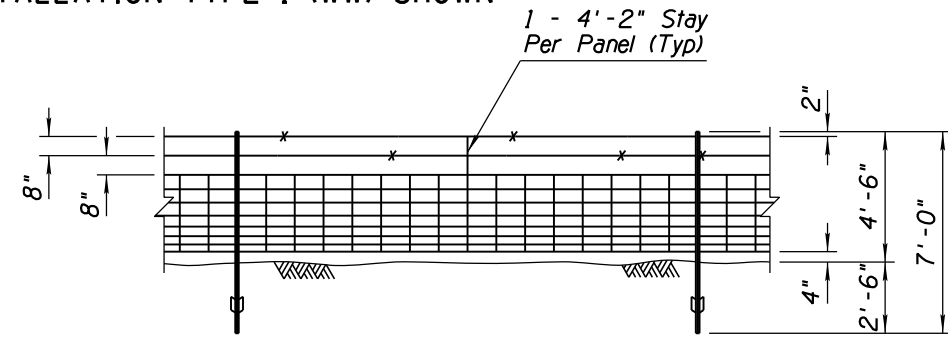
- Length of post and braces shall not be less than 7'-0".
 - Woven wire fence fabric shall be attached to the line posts at the top, bottom, and intermediate wires, and shall be placed on the side of the posts away from the main roadway.
 - Intermediate Post Assemblies shall be located as shown and at intervals to utilize standard rolls to minimize cutting and waste.
 - A twisted wire stay shall be centered between posts.
- ① ② ● ASTM designation



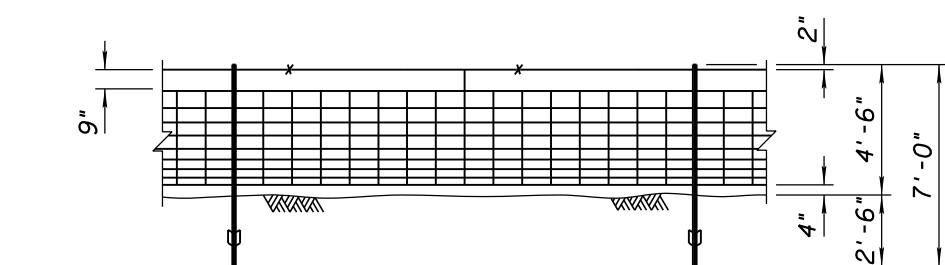
③ TYPICAL FENCE LOCATION



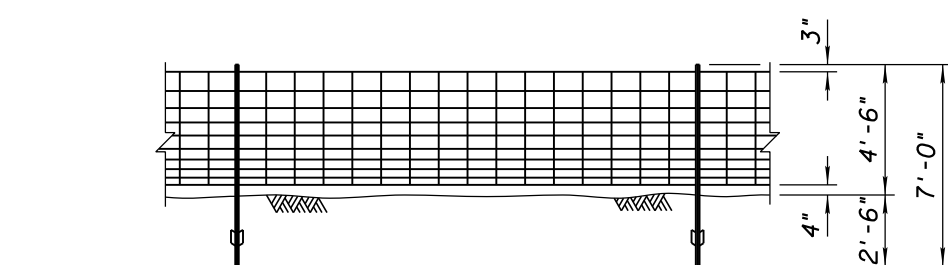
TYPE 1 WOVEN WIRE (WW)



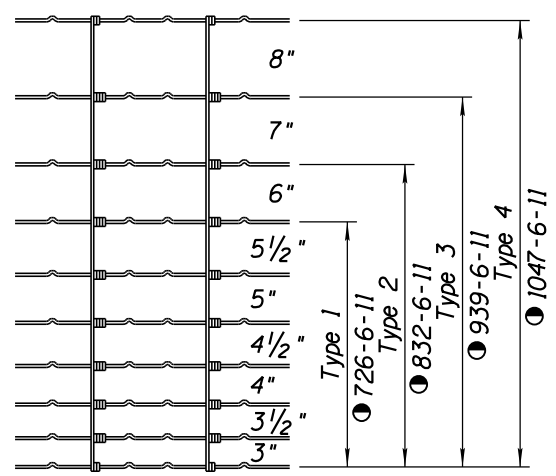
TYPE 2 WOVEN WIRE (WW)



TYPE 3 WOVEN WIRE (WW)



TYPE 4 WOVEN WIRE (WW)

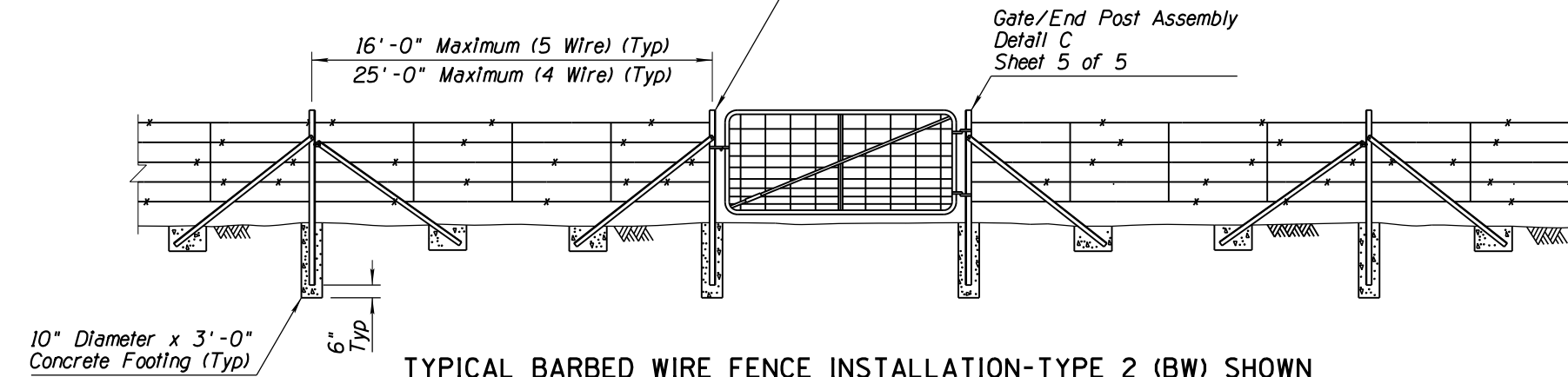
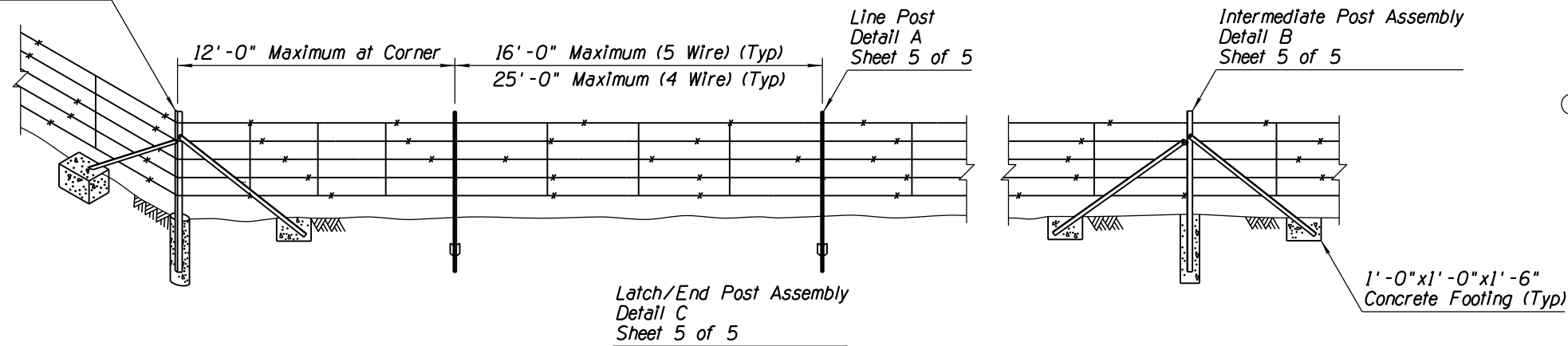


FENCE FABRIC DIMENSIONS AND DESIGN NUMBERS

APPROVED FOR DESIGN 	STATE OF ARIZONA DEPARTMENT OF TRANSPORTATION ROADWAY STANDARD DRAWINGS	REV. 5/12
APPROVED FOR DISTRIBUTION 	FENCE WOVEN WIRE	DRAWING NO. C-12.10 Sheet 1 of 5

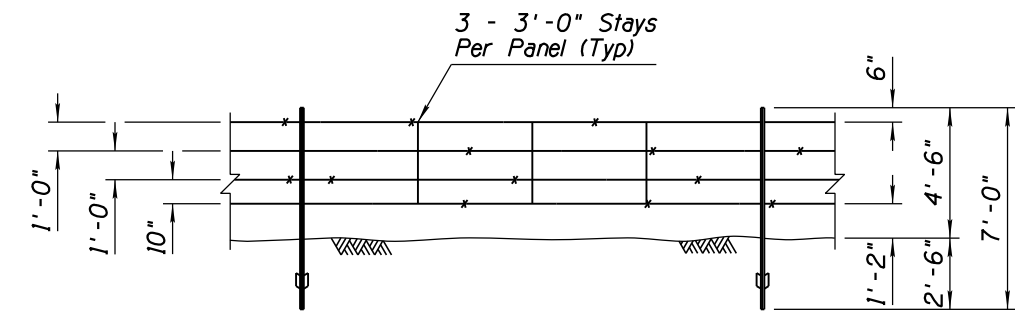
NO	DESCRIPTION OF REVISIONS	MADE BY	DATE
1	REISSUED STD DWG	PNB	7/94
2	REVISED GENERAL NOTE 1	RLF	7/05
3	ADDED GENERAL NOTE 4	RLF	5/12
4	ADDED TYPICAL FENCE LOCATION VIEW	RLF	5/12

Corner Post Assembly
Detail D
Sheet 5 of 5

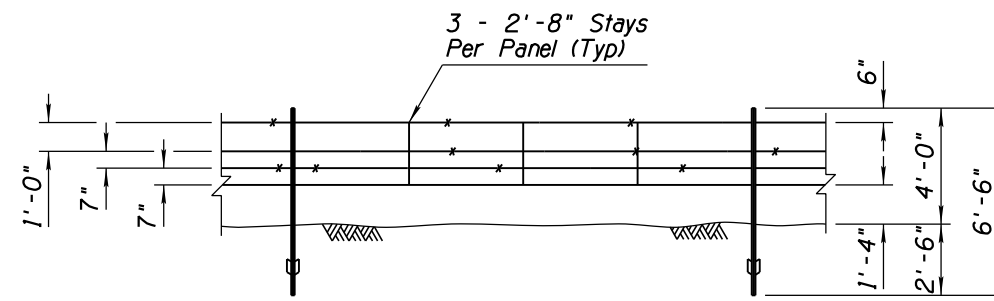


TYPICAL BARBED WIRE FENCE INSTALLATION-TYPE 2 (BW) SHOWN

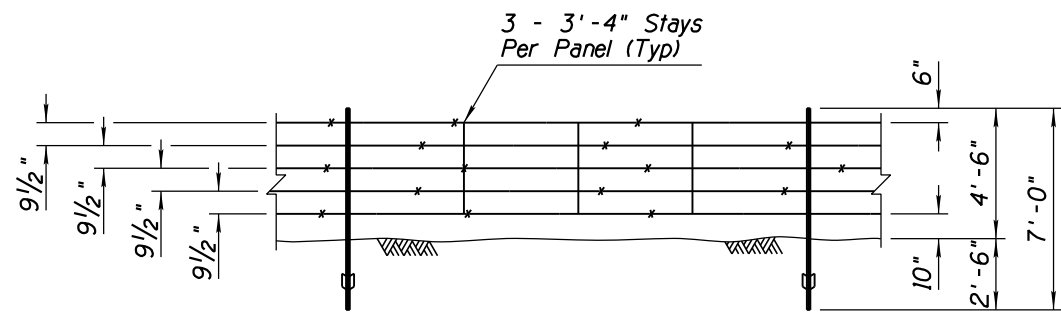
- GENERAL NOTES**
- ② 1. Intermediate Post Assemblies shall be located as shown and at intervals not to exceed 650', or midway between all braced posts.
 2. For game fence the bottom wire shall be barbless.
 3. The stays on game fence shall have their ends turned up to prevent injuries to game.
 - ③ 4. Fence Wire shall be placed on the side of the line posts away from the main roadway except in sharper curve areas where it should be moved to the side with tension against the posts.



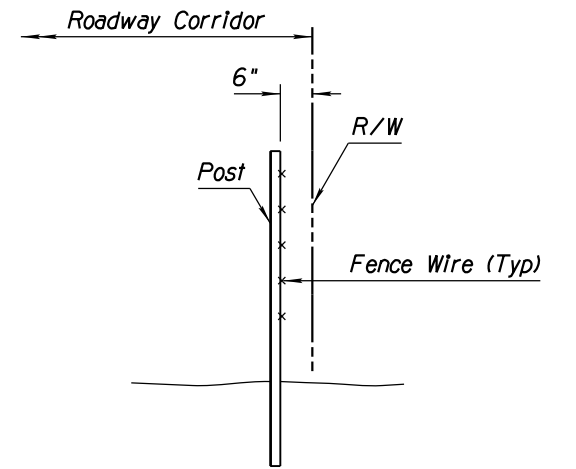
TYPE 1 BARBED WIRE (BW) (4 WIRE)



BARBED WIRE GAME FENCE (GF)



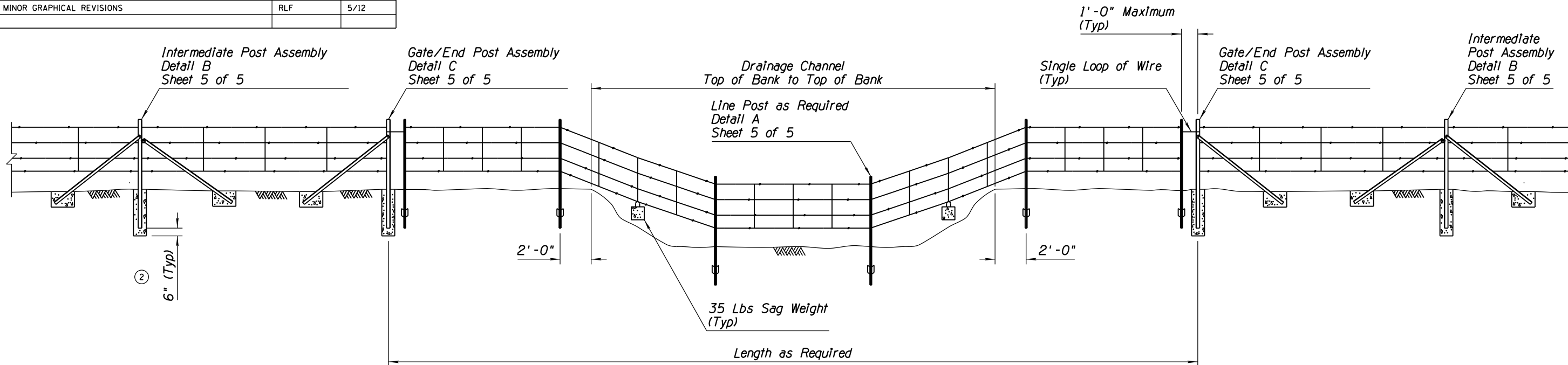
TYPE 2 BARBED WIRE (BW) (5 WIRE)



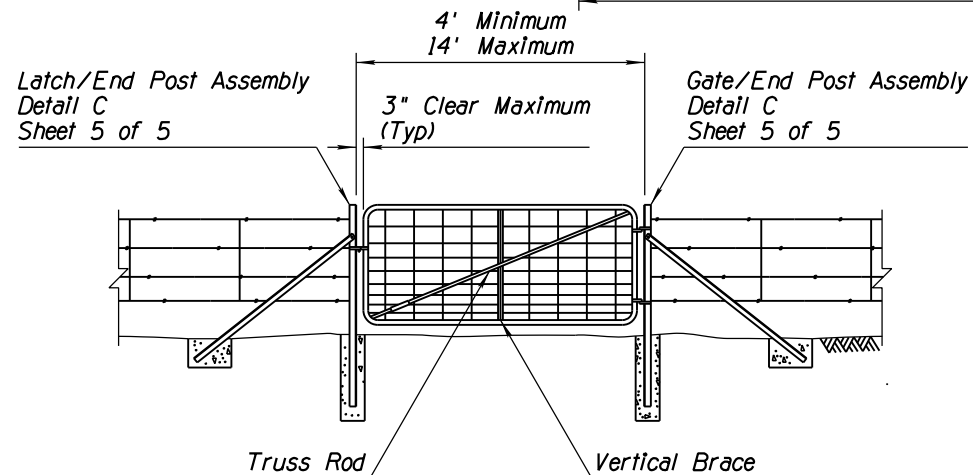
④ TYPICAL FENCE LOCATION

APPROVED FOR DESIGN 	STATE OF ARIZONA DEPARTMENT OF TRANSPORTATION ROADWAY STANDARD DRAWINGS	REV. 5/12
APPROVED FOR DISTRIBUTION 	① FENCE BARBED WIRE	DRAWING NO. C-12.10 Sheet 2 of 5

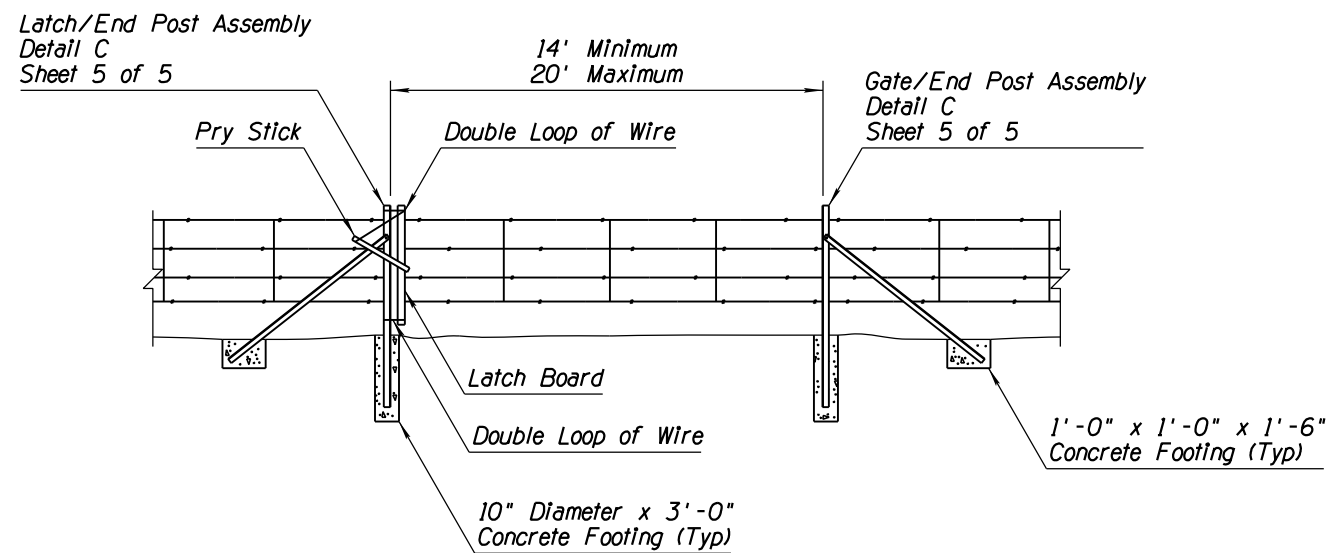
NO	DESCRIPTION OF REVISIONS	MADE BY	DATE
1	REISSUED STD DWG	PNB	7/94
2	ADDED DIMENSION	RLF	9/04
3	MINOR GRAPHICAL REVISIONS	RLF	5/12
4			



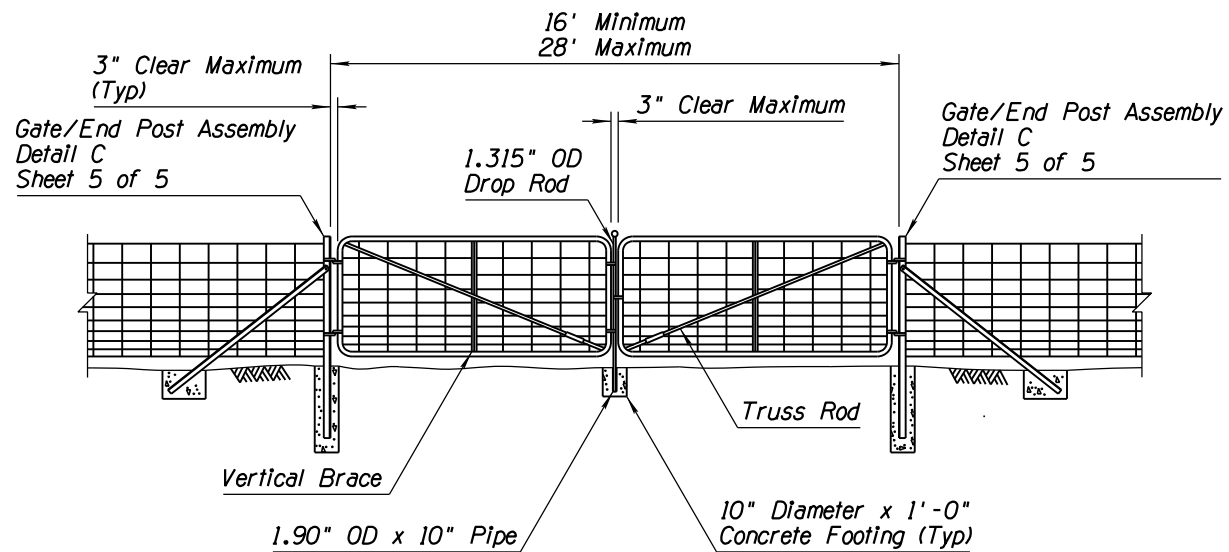
FLOOD GATE



TYPE 1 SINGLE GATE



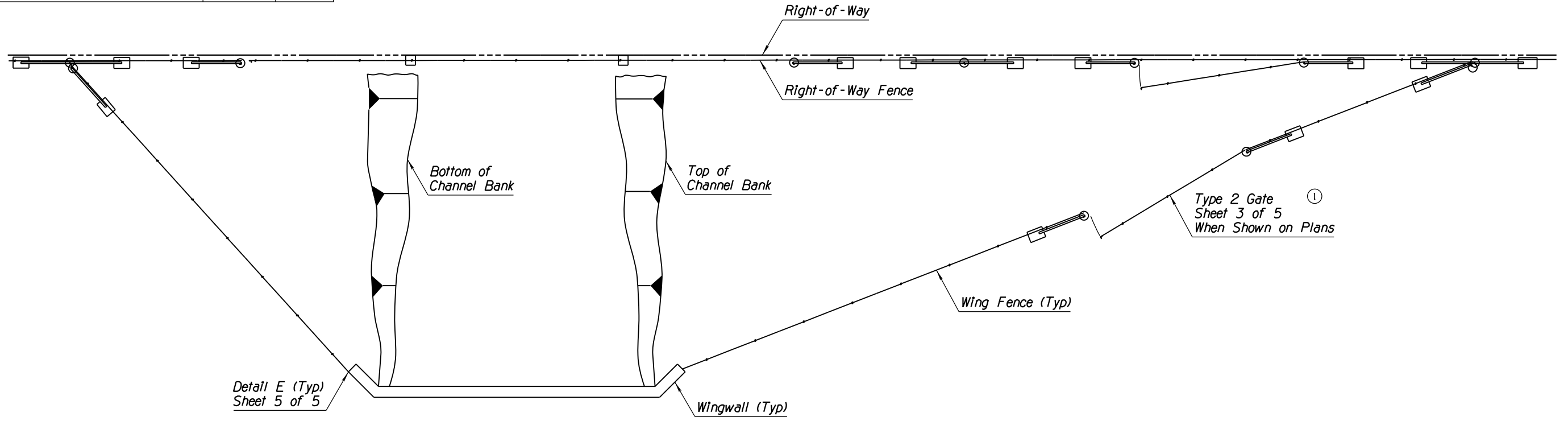
TYPE 2 GATE



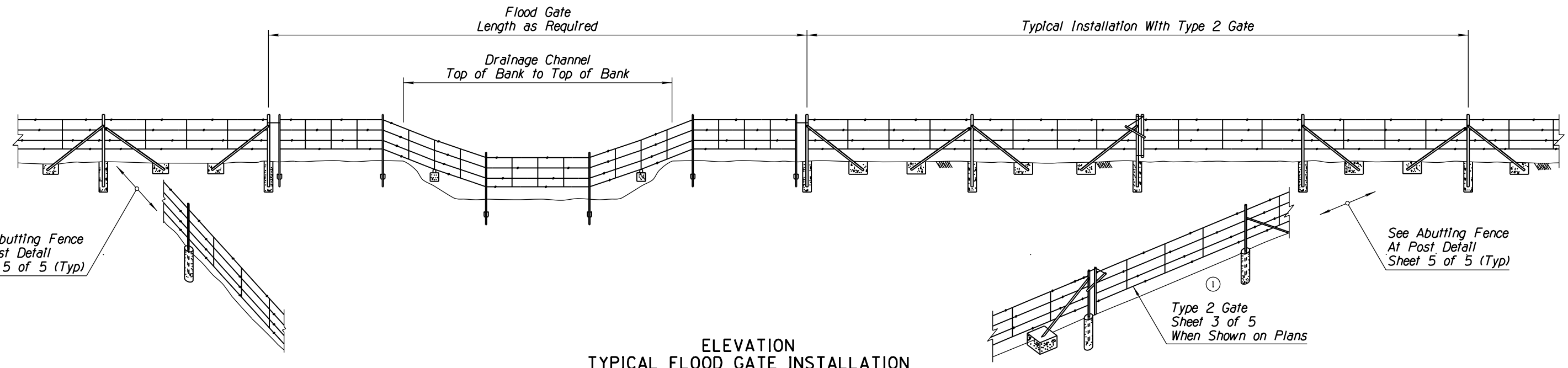
TYPE 1 DOUBLE GATE

APPROVED FOR DESIGN 	STATE OF ARIZONA DEPARTMENT OF TRANSPORTATION ROADWAY STANDARD DRAWINGS	REV. 5/12
APPROVED FOR DISTRIBUTION 	① FENCE TYPE 1 AND 2 GATES FLOOD GATE ③	DRAWING NO. C-12.10 Sheet 3 of 5

NO	DESCRIPTION OF REVISIONS	MADE BY	DATE
1	ADDED TYPE 2 GATE	RLF	9/04
2	REVISED DRAWING GRAPHICS	RLF	5/12
3			
4			



PLAN



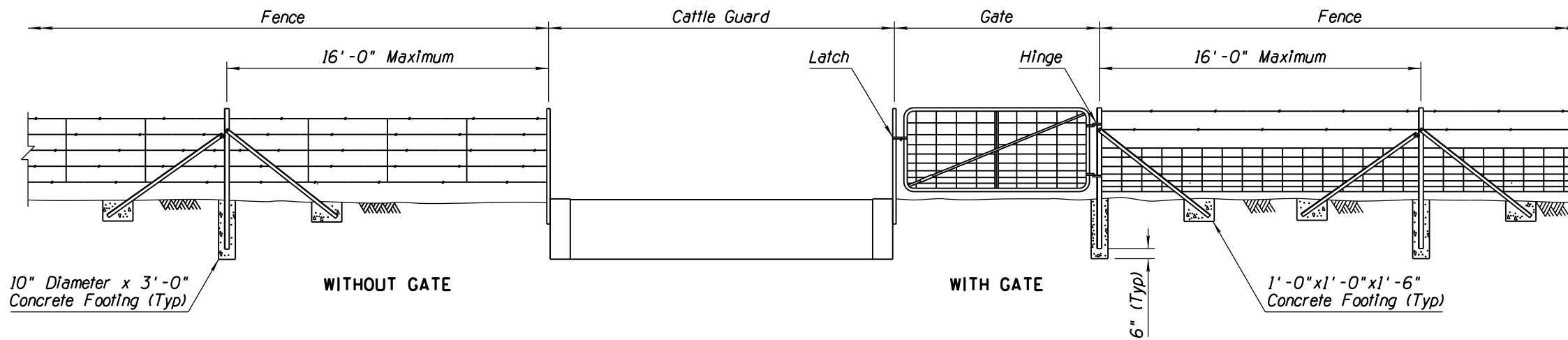
ELEVATION
TYPICAL FLOOD GATE INSTALLATION

APPROVED FOR DESIGN 	STATE OF ARIZONA DEPARTMENT OF TRANSPORTATION ROADWAY STANDARD DRAWINGS	REV. 5/12
APPROVED FOR DISTRIBUTION 	FENCE FLOOD GATE INSTALLATION ②	DRAWING NO. C-12.10 Sheet 4 of 5

NO.	DESCRIPTION OF REVISIONS	MADE BY	DATE
1	REISSUE STD	PNB	7/94
2	REVISED VIEW GRAPHICS	RLF	5/12
3	MOVED FENCE LOCATION VIEW TO SHEETS 1 & 2 OF 5	RLF	5/12
4			

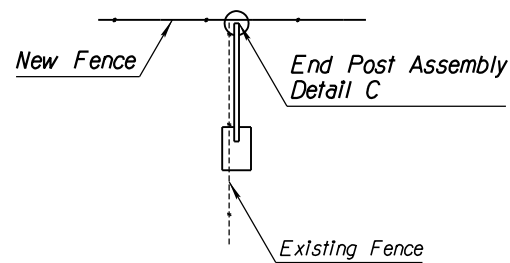
GENERAL NOTES

1. Post assemblies shall consist of an upright angle $2\frac{1}{2}'' \times 2\frac{1}{2}'' \times \frac{1}{4}''$ at 4.10 lbs/ft, and brace angles $2'' \times 2'' \times \frac{1}{4}''$ at 3.19 lbs/ft.



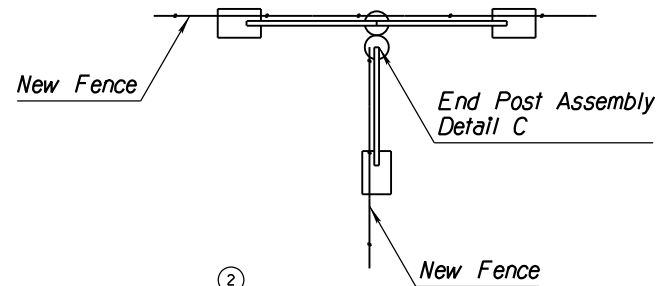
TYPICAL FENCE LOCATION AT CATTLE GUARD

③



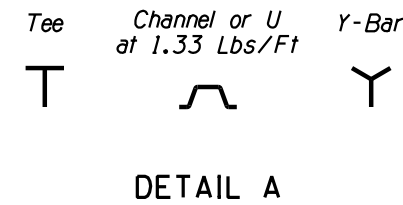
②

ABUTTING FENCE

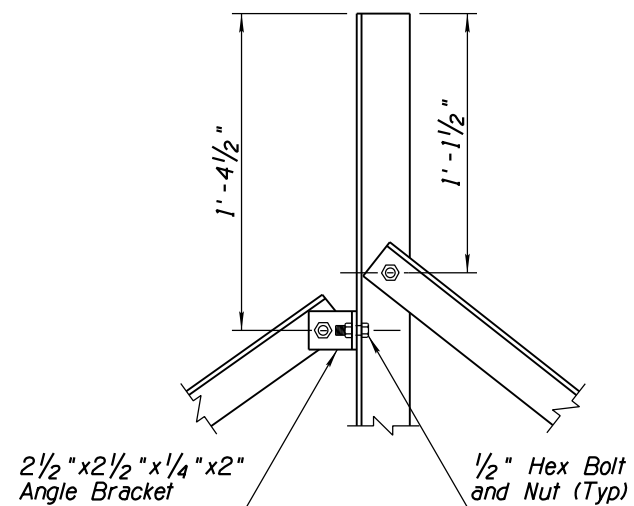


②

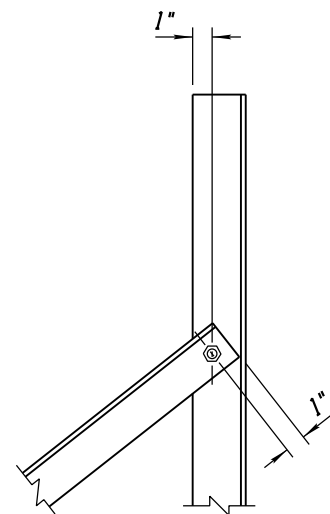
ABUTTING FENCE AT POST



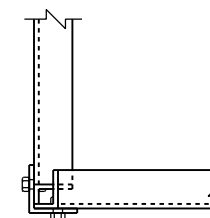
DETAIL A
TYPICAL CROSS SECTIONS OF LINE POST SHAPES



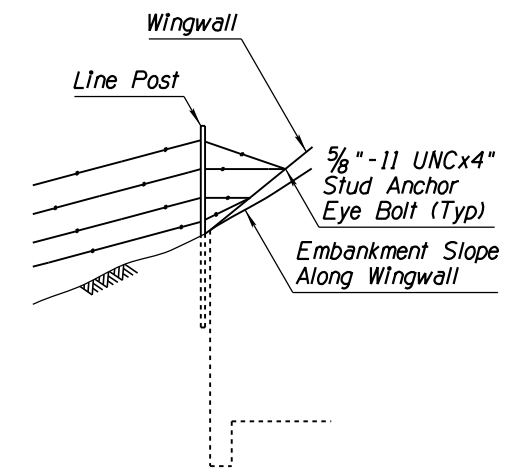
DETAIL B
INTERMEDIATE POST ASSEMBLY



DETAIL C
END POST ASSEMBLY



DETAIL D
CORNER POST ASSEMBLY



DETAIL E
FENCE CONNECTION TO WINGWALL

APPROVED FOR DESIGN 	STATE OF ARIZONA DEPARTMENT OF TRANSPORTATION ROADWAY STANDARD DRAWINGS	REV. 5/12
APPROVED FOR DISTRIBUTION 	① FENCE MISCELLANEOUS DETAILS	DRAWING NO. C-12.10 Sheet 5 of 5